

The three-part treatment that lets you spray and walk away.



Dock & Dumpster Treatment

Spring 2007

another innovation from

JohnsonDiversey
Clean is just the beginning



Do you have a dirty little secret?

Many food retailers and restaurants have a “secret” hiding in the back of their stores. Rotting organic waste in dumpsters and garbage cans:

- **Attracts** rodents, insects, and other pests
- Provides **harborage** and breeding environments for these pests
- Produces **strong malodors**
- Creates **sanitation risks** for the store
- Customers who **see** or **smell** the dirty dumpster have an immediate strong negative impression of store sanitation

Drive Thru's



Liquid Wastes from Dumpsters and Garbage Cans

- Can seep into **surrounding surfaces**, spreading the problem
- Once in concrete, the organic soil can be very **difficult to remove**
- Fats, grease, and oils that build-up on floors can also contribute to **slip-fall accidents**
- Can provide a **food source** for rodents, insects, and other pests, drawing them to the area

So, why not just clean the dumpster?

- Liquid wastes can be **difficult to remove** once they seep into concrete
- Manually cleaning a dumpster is a **dirty, smelly, time consuming, and unpleasant** job
- Manual cleaning often **misses the soils** below the surface, allowing malodors to quickly redevelop after cleaning.
- Dumpsters and trash cans are **perpetually in use**, so taking the time to clean one when empty is often not practical.

Is There a Better Option?

Yes, there is!

Dock & Dumpster Treatment

This **three part** treatment offers

- A strong cleaner
- A "knock down" fragrance
- Bacteria to digest soils



Dock & Dumpster Treatment

Provides a strong **cleaner package** that can quickly break down grease and other organic soil, making it easier to remove

Instantly applies a **“knock down” fragrance**, helping to demonstrate that the product is working.

Employees notice the difference immediately after use because the smell of garbage is noticeably reduced



Dock & Dumpster Treatment

Non-pathogenic (non-disease causing) **bacteria** quickly go to work, creating enzymes to digest the soils on and below the surface.

These bacteria compete with the odor causing bacteria, helping to keep odors from coming back

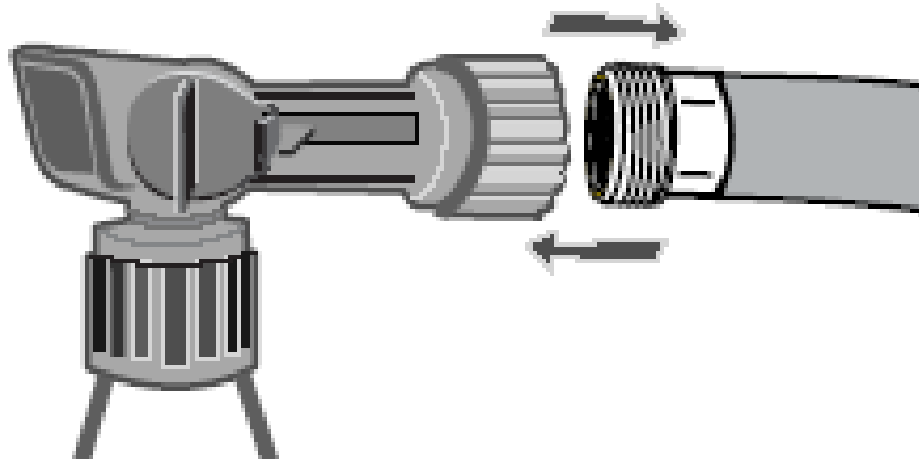
How frequently is Dock & Dumpster Treatment Used?

- For **Trash Cans**, apply product 3 times per week after emptying can
- For **Dumpsters** and surrounding pad, apply product when dumpster is emptied
- Repeat treatment when dumpster reaches 1/3 and 2/3 full, or twice a week

How is it Used?

To Apply Product

1. Connect spray attachment to any garden hose
2. Pull back safety latch and rotate dial. Product automatically dilutes at correct dilution (1:64)
3. Spray the surface to be cleaned



Where Else Can I Use It?

In addition to dumpsters and trash cans, you can use it on:

- Loading docks
- Concrete and asphalt walkways
- The pad underneath the dumpster

What Do I Have to be Cautious About?

- While we expect Dock & Dumpster Treatment not to be a concern in the environment, we haven't done testing to make claims for "uncontrolled releases"
- The label warns not to allow solution to contact vegetation or to drain into areas where it cannot be collected
- Label recommends using a wet vacuum to collect used solution if necessary

Key Benefits

- Eliminates unbearable odors quickly and easily
- Cleans away organic waste that attracts rodents, insects and other pests
- Requires no scrubbing. Just spray and walk away
- Applied bacteria keep odors from coming back and clean the soil that's hard to reach

Ordering Information

- Item Code 5528125
- Dilution: 1:64 or 2 oz/gal
- Case Pack: 4x32 oz
- In Stock

